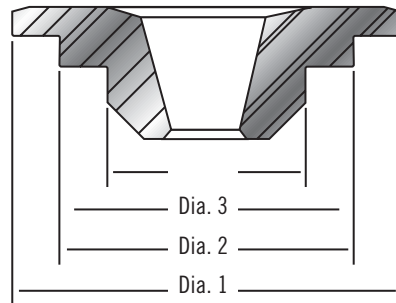


Lightweight Tool Steel Retainers

The new COMP Cams® Lightweight Tool Steel Retainers provide the best of all valve train benefits: light weight, as well as exceptional strength and wear characteristics. Approximately 33 percent lighter than conventional chromemoly steel retainers and only 2-4 grams heavier than titanium (depending upon application), they are made from high-grade Tool Steel, making them able to withstand even the most demanding race applications. Currently, these innovative new retainers are available for 1.437" and 1.500" double valve springs and accept COMP's 10° Super Locks™ for unrivaled reliability.



Double Spring Style



- CNC-machined for consistent quality
- Developed using latest FEA & CAD software
- Spintron®-tested to extreme rpm to prove strength is equivalent to titanium and standard steel

Part #	Description	Lock Angle	Valve Stem Size	Valve Spring Diameter	Dia. 1	Dia. 2	Dia. 3
1730-16	Tool Steel Retainer	10°	All	1.437"-1.500"	1.437"	1.065"	.700"
1731-16	Tool Steel Retainer	10°	All	1.500"-1.550"	1.437"	1.100"	.800"
1732-16	Tool Steel Retainer	10°	All	1.500"-1.550"	1.500"	1.110"	.710"

*All retainers are available as singles (-1) and sets of (-16)

Gen III Double Roller Billet Timing Set

The new COMP Cams® Gen III Double Roller Billet Timing Set is a 9-keyway set designed for up to eight degrees of advance or retard in two-degree increments. The timing set features heat-treated, machined billet steel gears for outstanding strength and a Torrington thrust bearing that reduces friction to a minimum. Additional features include a pre-stretched, heat-treated roller chain with heavy-duty large pin design to further enhance high rpm and high horsepower strength and durability. The COMP Cams® GM Gen III 9-Keyway Double Roller Billet Timing Set is available in both standard length and .005" undersized for engines that have a reduced crankshaft to camshaft centerline due to align boring or other machining procedures.



DESCRIPTION	PART NO.
Gen III Double Roller Billet Timing Set (Standard)	7153
Gen III Double Roller Billet Timing Set (.005" Undersized)	7153-5