

#26926 ULTRA DUAL VALVE SPRING

The latest and most high-tech of all COMP Cams® valve springs, the #26926, is a professional race quality, lightweight, small OD dual spring capable of high loads and .675" lift. This is the first COMP® spring designed using a new dynamic modeling system that optimizes the spring design and pitch profile before the prototype production. This allows our engineers to run through several development cycles before the first part is ever produced, ensuring the best quality parts for you, the customer. Specifically designed with the new COMP® LS_R™ Camshafts in mind, this spring can be used in other aggressive hydraulic roller applications as well as street/strip hydraulic roller, solid flat tappet race and some solid roller applications.

- Extended .675" max lift, 159 lbs. at 1.835" installed height for aggressive cam designs
- Cutting edge dual valve spring design with added processes for durability & performance
- Ideal for street/strip hydraulic roller, some solid roller and solid flat tappet race applications
- Engineered specifically for the new COMP Cams® LS_R™ Cams for GM LS engines



PART #	SEAT LOAD	OPEN LOAD	MAX LIFT	COIL BIND	RETAINER
26926-16	159 lbs. @ 1.835"	448 lbs. @ 1.160"	.675"	1.066"	#1779

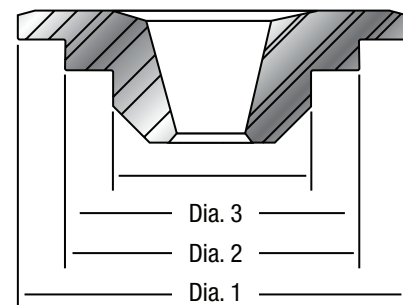
*Springs are available as singles (-1) and sets of (-16).

#1779 LIGHTWEIGHT TOOL STEEL RETAINER

The COMP Cams® Lightweight Tool Steel Retainers provide the best of all valve train benefits: light weight, as well as exceptional strength and wear characteristics. Approximately 33 percent lighter than conventional chromemoly steel retainers and only 2-4 grams heavier than titanium (depending upon application), they are made from high-grade Tool Steel, making them able to withstand even the most demanding race applications. The #1779 Lightweight Tool Steel Retainers were designed to work with the new COMP Cams® #26926 Ultra Dual Valve Spring, and feature +.040" installed height to fit the #26926 springs and stock heads without machining.



DOUBLE SPRING STYLE



PART #	DESCRIPTION	LOCK ANGLE	VALVE STEM SIZE	VALVE SPRING DIAMETER	DIA. 1	DIA. 2	DIA. 3
1779-16	Tool Steel Retainer	7°	Stock	1.290"	1.172"	.910"	.646"

*Retainers are available in singles (-1) and sets of (-16).