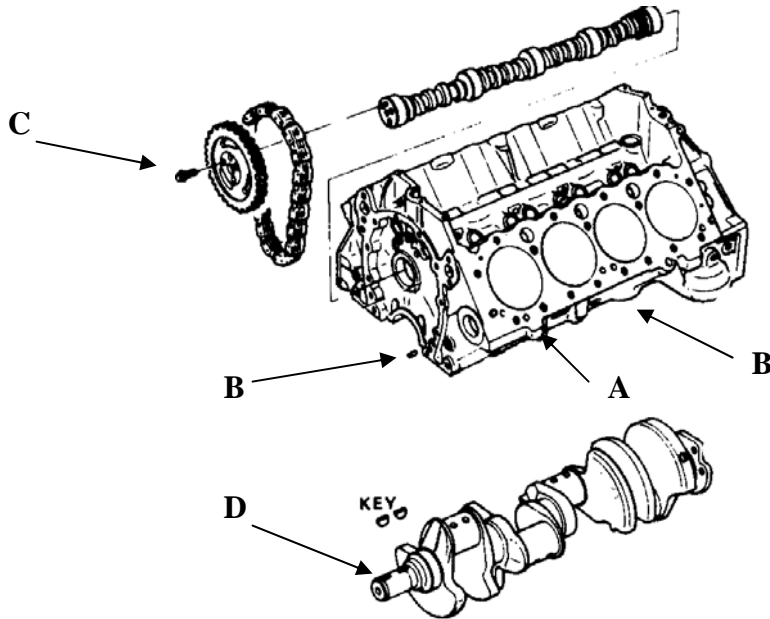




**COMP Cams® Engine Finishing Kits**  
 (Part #234) GM 454ci Big Block

Thank you for choosing COMP Cams® products; we are proud to be your manufacturer of choice. Please read this instruction sheet carefully before beginning installation; if you have any questions please call 1-800-999-0853 for help.



Part #233			
Location	Qty	Contents	Description
A*	4	Head Dowel	.640 x .500
B	2	Timing Cover / Oil Pump Dowel	.2466 x .630
C	3	Cam Bolt	5/16-18 x 3/4 Cap Screw, Hex Drive
D	2	Woodruff Key	3/16 x 3/4
All components should be assembled per O.E.M. recommendations. *Knurl side to block			

The COMP Cams® Engine Finishing Kits are provided to help eliminate searching for misplaced parts, while providing fresh new parts to meet or exceed O.E.M. specifications. These kits are available for most popular engine applications. To avoid extra spare parts and cost to the installer, some deviation may occur due to suggestions by nationwide rebuilders and O.E.M. changes in production. We rely on our customers for additional feedback in order to provide you with the most complete parts kit available.

Competition Cams, Inc  
 3406 Democrat Rd.  
 Memphis, TN 38118  
 (901)795-2400 FAX (901)366-1807  
 www.compcams.com

